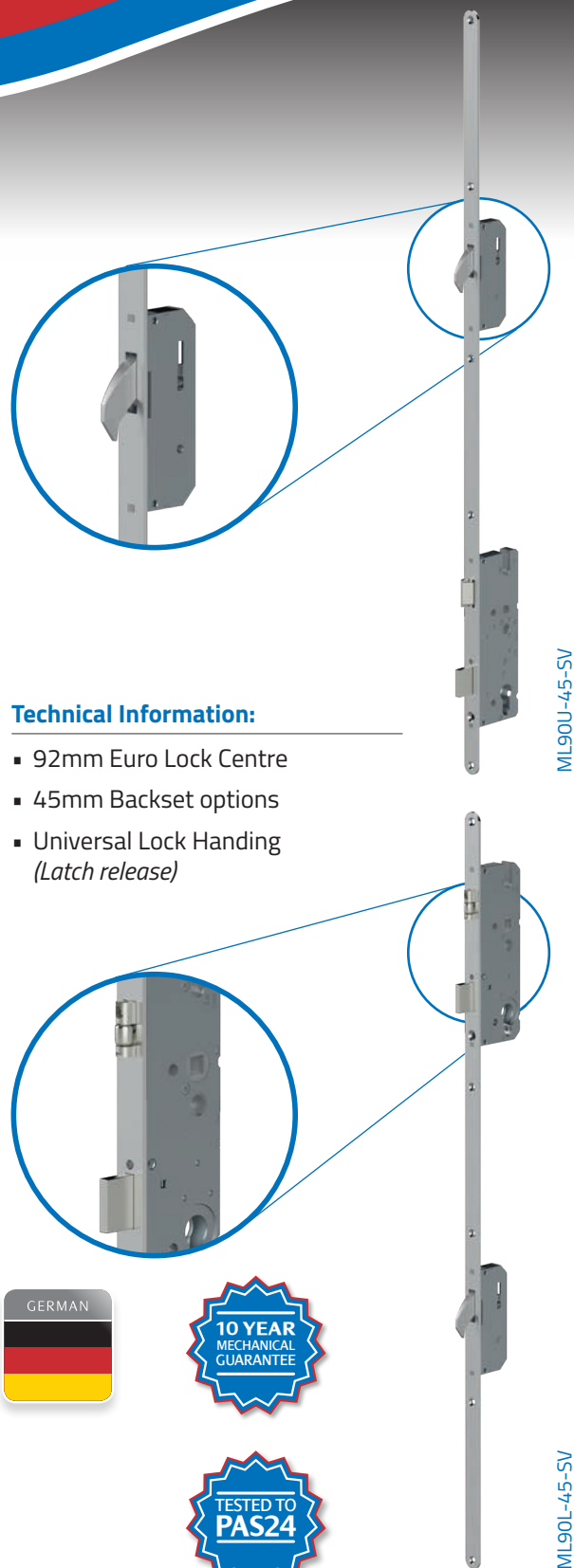


Stable Door Multipoint Lock - (Standard)

ML90L & ML90U



Technical Information:

- 92mm Euro Lock Centre
- 45mm Backset options
- Universal Lock Handing (*Latch release*)

- ▶ Purpose made multipoint lock system for stable doors
- ▶ Tapered hooks for optimum security, ease of operation and weather protection
- ▶ Designed with maximum strength in middle of door
- ▶ High performance gearbox tested to 100,00 cycles
- ▶ Finished in Silver Bichromate to BS EN 1670:2007 Grade 4



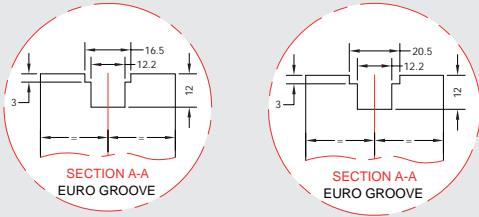
ML90U-45-SV

ML90L-45-SV

LIT-DC-ML90L-U

Stable Door Multipoint Lock - Standard

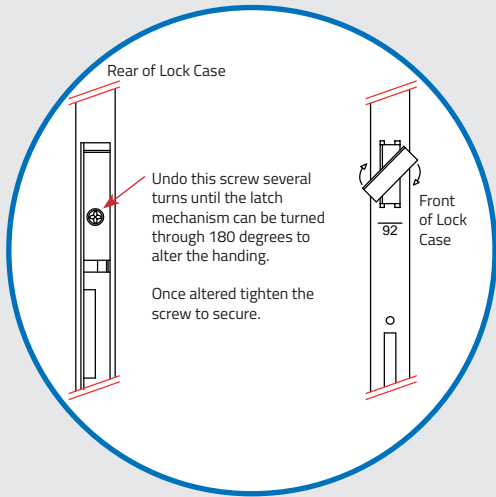
What are faceplate widths?



Typical faceplate widths are 16mm or 20mm, this is measured across the face of the lock.

The diagrams above show typical routing detail to suit either the 16mm or 20mm.

How to release the latch on a non-handed (universal) multipoint lock



Keep Options:



View our Keeps Data Card for more information on the keep options for this multipoint lock

Note:

- *When ordering keeps, you will need to order 2 of the MK9 for this lock
- ML90L and ML90U need to be ordered together to make up the set

Stable Door Multipoint Lock - Standard

Part Number	Product	Backset	Units
ML90L-45-SV	Lower - 20mm Faceplate, Radius end	45mm	Each
ML90U-45-SV	Upper - 20mm Faceplate, Radius end	45mm	Each

Finish:

SV Silver Passivated

